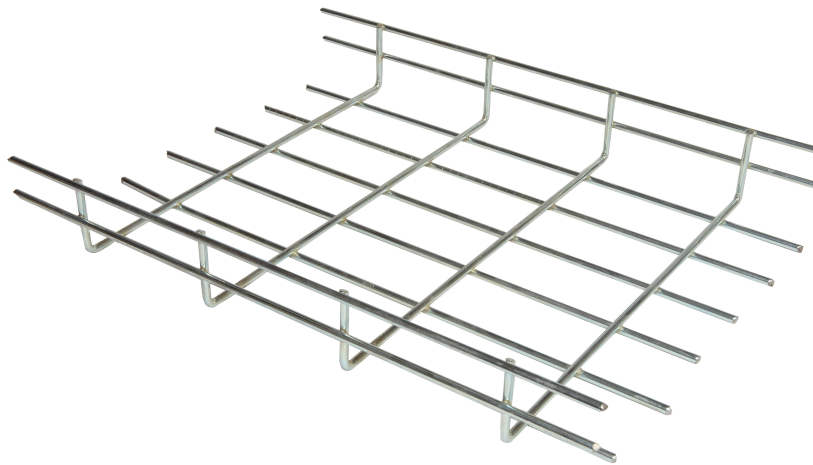




CABLE TRAYS & ACCESSORIES CATALOG



11701 NW 102nd Road, Suite 21, Medley, FL 33178
Tel: 305-477-8063, Fax: 305-477-8262
www.newlink-usa.com

CABLE TRAYS & ACCESSORIES

Material:

Q235 Steel (Standard steel), SS304, SS316 & SS316L

Surface Finish:

Electro zinc plated (Standard)

Powder coated (Special order)

Hot Dipped Galvanized (Special order)

Acid Washing or Electrolytic Polishing - for stainless steel use (Special order)

Dimensions:

Cable Tray dimensions are all internal. Wire Mesh Cable Trays are constructed with a 50mm x 100mm mesh configuration.

Depth of 35mm, 50mm, 60mm, 75mm, 100mm & 150mm. Widths: 50-900mm.

Length of 2997 fit max loading capacity in 40'ft containers. Diameters of wires are 3.8- 6.0mm

Installation Notice:

Bends, Risers, T Junctions, Crosses and Reducers can be made from wire mesh cable tray straight sections flexibly in projects.

Trays shall be supported at a maximum span of 2.5m by trapeze, wall, floor or channel mounting methods and will not exceed maximum loads as specified by the manufacturer.

Wire Mesh Cable Tray systems can be safely employed in places where the temperature ranges between -40° C and +150° C without any change to their characteristics.

Application:

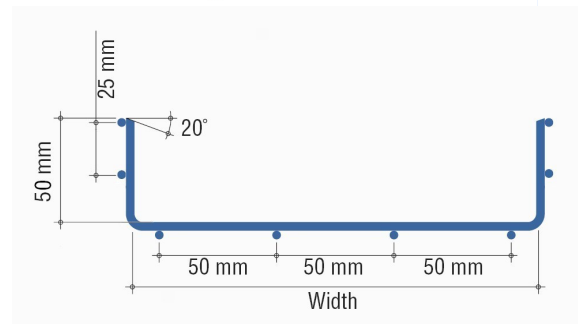
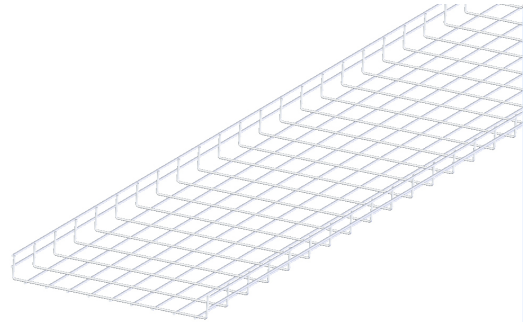
Wire Mesh Cable Trays are mainly used for low voltage, telecommunication, and fiber optic cables supported on short spans.

Features & Advantages:

All sharp ends are cut off to protect cables. Weight loading capacity is 27% stronger than traditional cable trays and cable ladders.

Wire Mesh Cable Tray (Height=2")

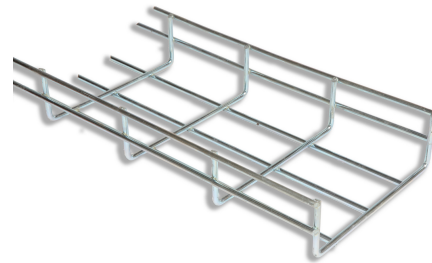
Width in.	Width mm	Wire Count	
		Length	Width
2	50	12	4
4	100	12	6
6	150	12	8
8	200	12	12
12	300	12	18
16	400	12	24
18	450	12	27
20	500	12	30
24	600	12	36



Item Names	Height		Width		Length	Diameter	Weight
	MM	INCH	MM	INCH	M	MM	KG/EACH
8504023	50	2	100	4	3	5	3.77
8506023	50	2	150	6	3	5	4.47
8508023	50	2	200	8	3	5	5.17
8512023	50	2	300	12	3	5	6.57



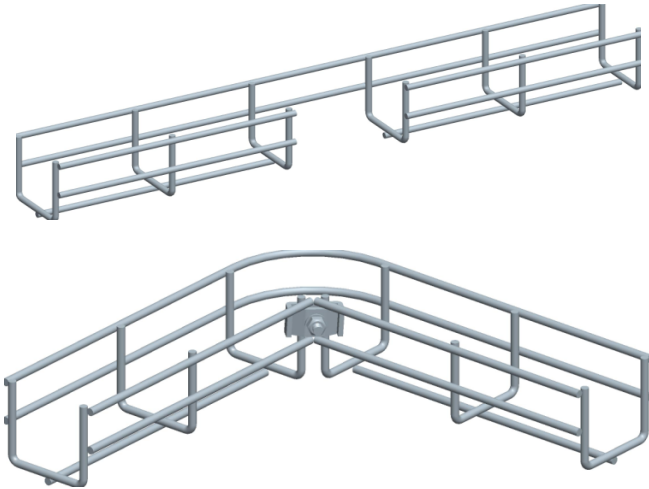
8508023



8506023

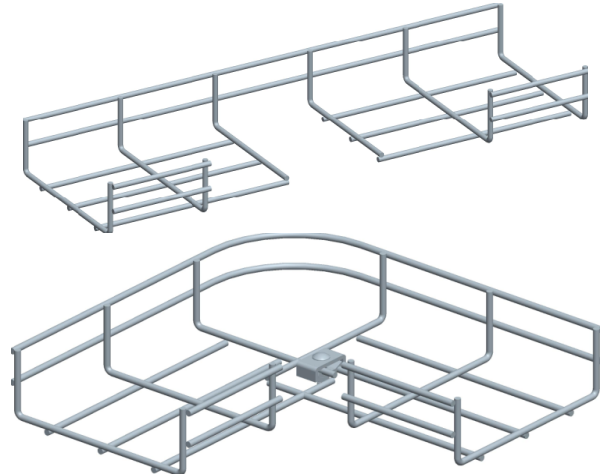
Wire Mesh Cable Tray Assembling Guiding

90° Short Radius Bends
50 mm (2") Wide



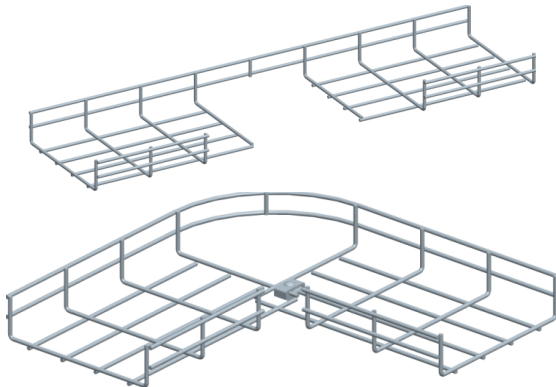
Connector Assembly Number	
	CPL
50mm	1

90° Short Radius Bends
100 and 150 mm (4" and 6") Wide



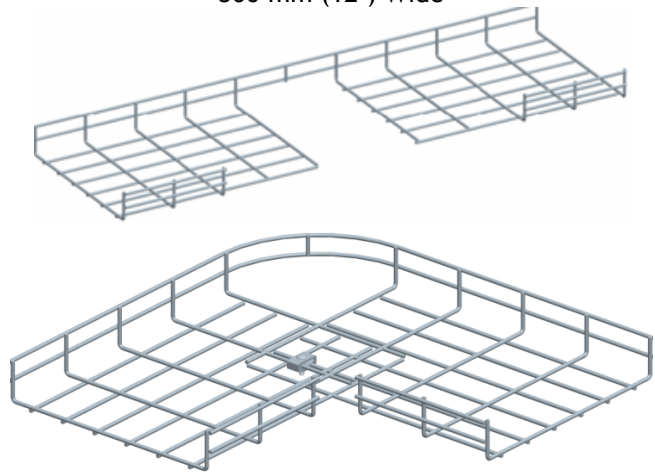
Connector Assembly Number	
	CPL
100mm	1
150mm	1

90° Short Radius Bends
200 mm (8") Wide



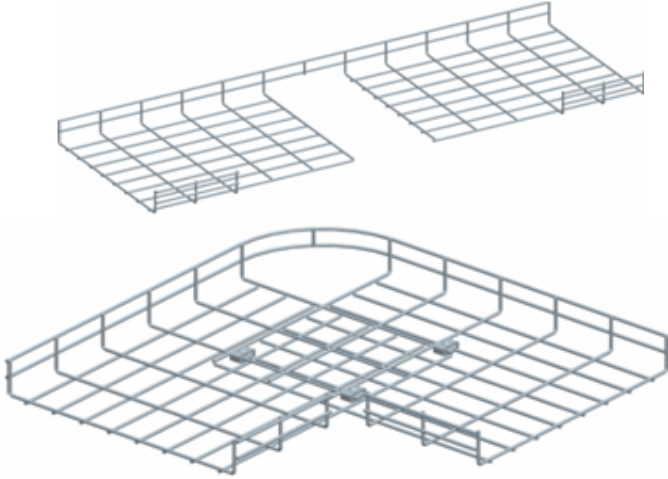
Connector Assembly Number	
	CPL
200mm	1

90° Short Radius Bends
300 mm (12") Wide



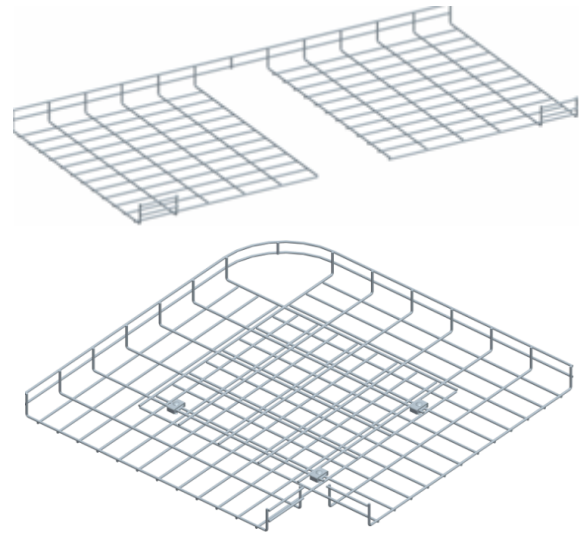
Connector Assembly Number	
	CPL
300mm	1

90° Short Radius Bends
400mm (16") 450 mm (18") & 500 mm (20") Wide



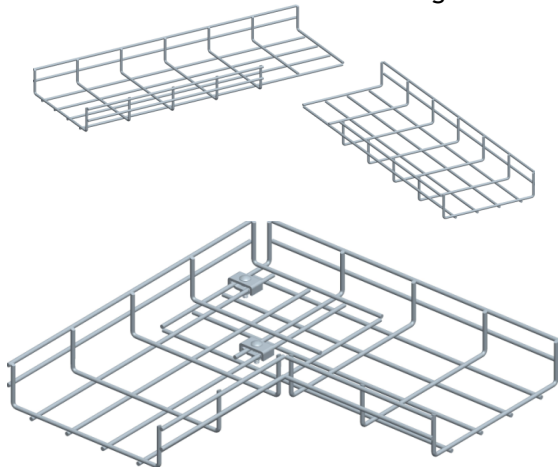
Connector Assembly Number	
	CPL
400mm	3
450mm	3
500mm	3

90° Short Radius Bends
600 mm (24") Wide



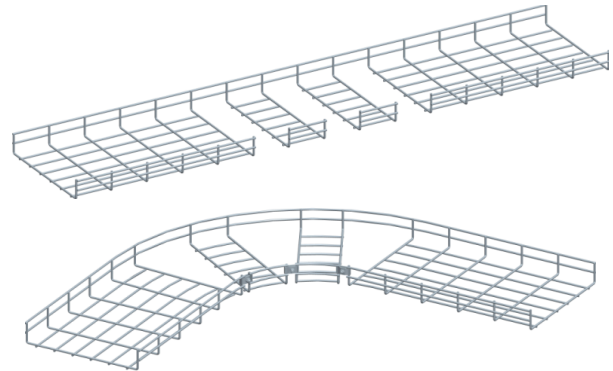
Connector Assembly Number	
	CPL
300mm	3

90° Bends Assembled from Two Straight Sections



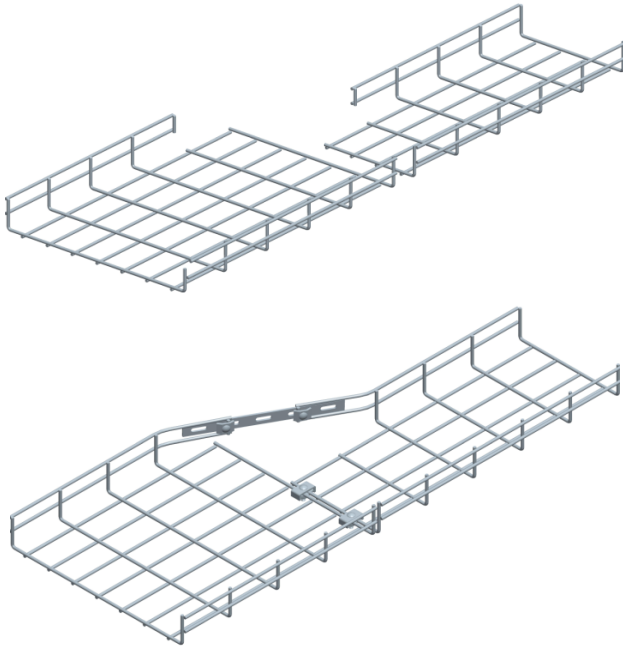
Connector Assembly Number	
	CPL
100mm	2
150mm	2
200mm	2
300mm	2
400mm	3
450mm	3
500mm	3
600mm	3

90° Long Radius Bends



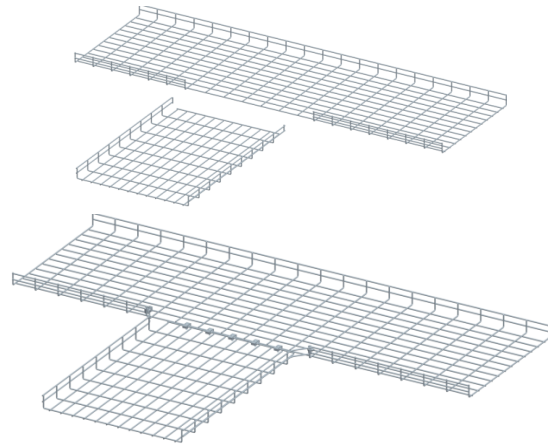
Connector Assembly Number		
	CPL	SBR
100mm	3	1
150mm	4	1
300mm	5	1
300mm	7	1
400mm	9	1
450mm	11	1
500mm	11	1
600mm	12	1

Reducers



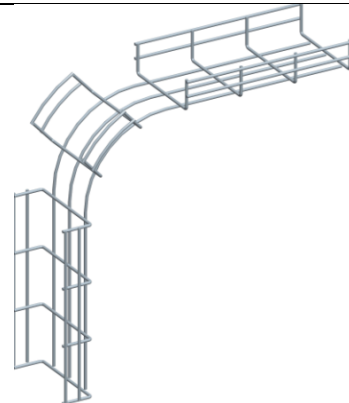
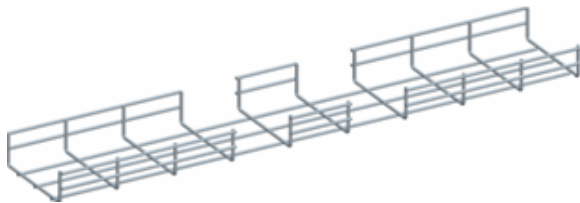
Connector Assembly Number		
	CPL	SBR
100mm	3	1
150mm	4	1
300mm	5	1
300mm	5	1
400mm	5	1
450mm	5	1
500mm	5	1
600mm	5	1

Horizontal Tees



Connector Assembly Number	
	CPL
100mm	2
150mm	2
300mm	2
300mm	3
400mm	4
450mm	4
500mm	4
600mm	4

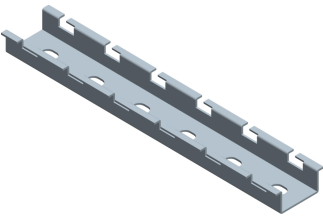
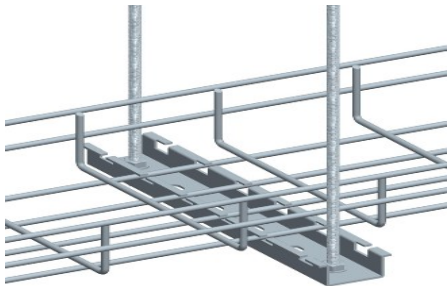
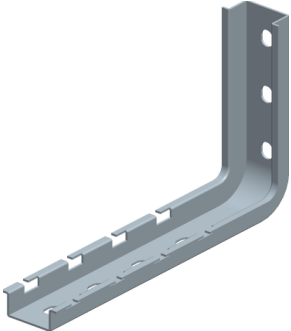
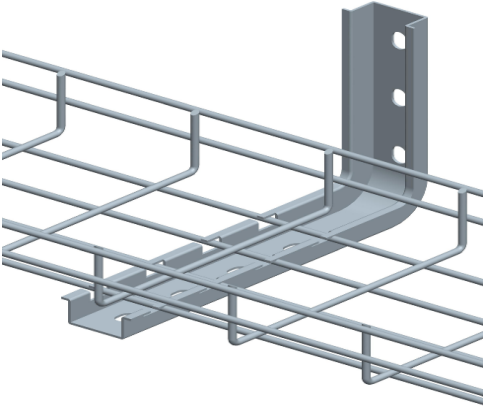
Vertical Bend Assembly Guide
Vertical Inside and Outside Bends


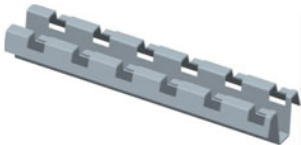
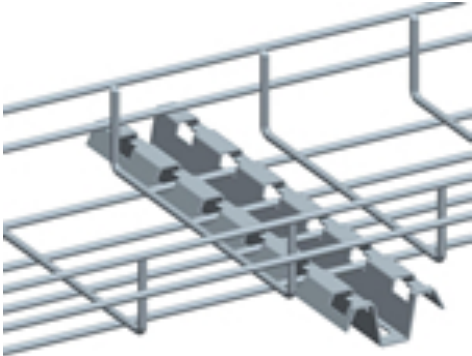
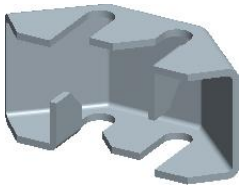
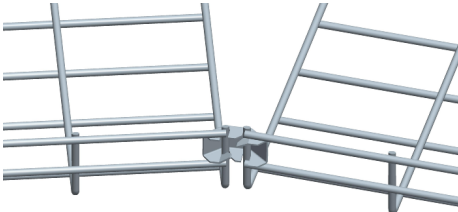

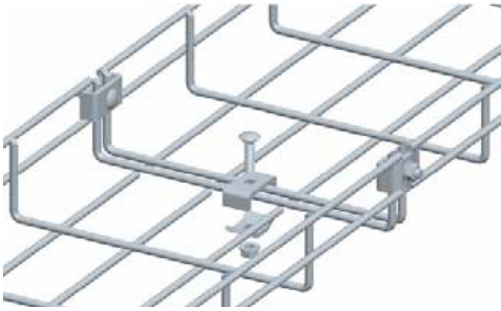


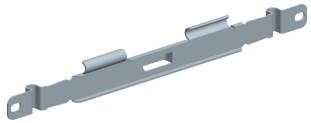
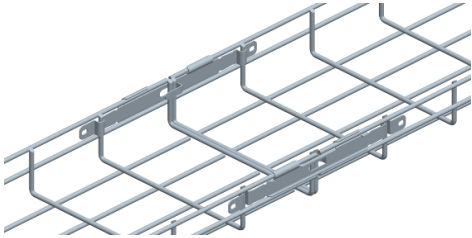
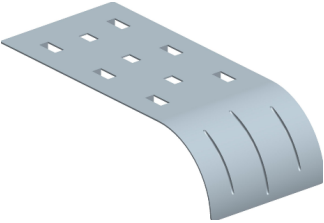
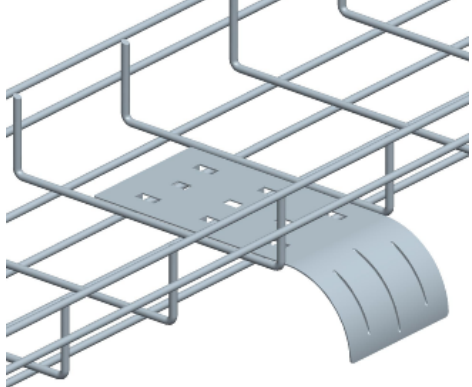
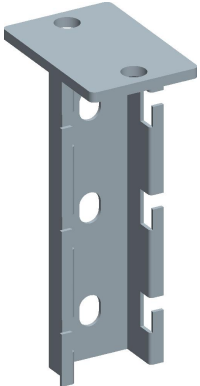
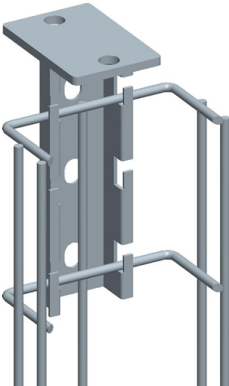
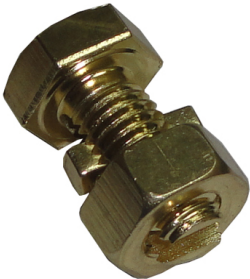
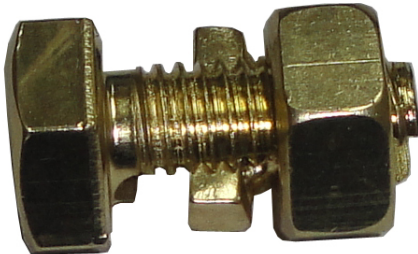
Quick Reference Table for Cable Loads


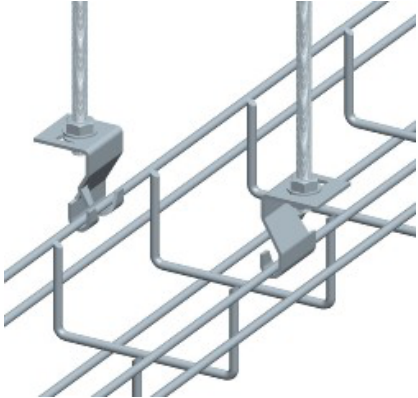
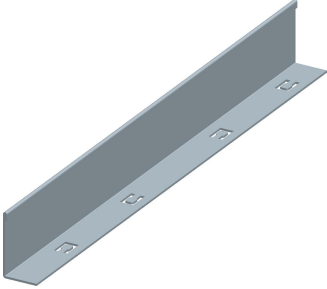
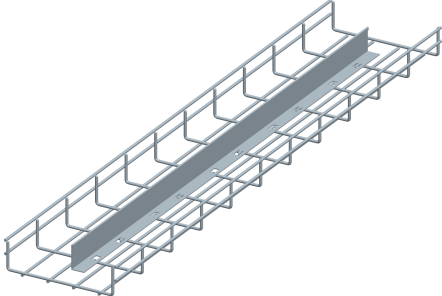
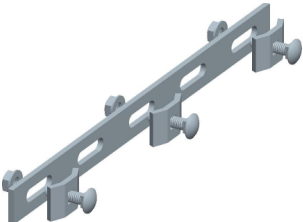
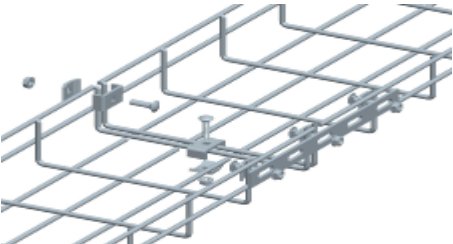
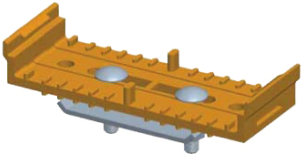
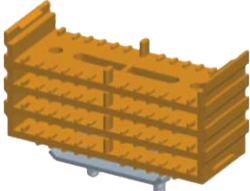
Cable Tray	Fill Area	Loads in lbs/ft per span				Max. number of cables			
		5'	6'	7'	8'	Cat 5e 4-pair Plenum (.17")	Cat 5e 4-pair Non-plenum (.19")	Cat 6e 4-pair Plenum (.22")	Cat 6a 4-pair Non-plenum (.35")
8504023	8.06"	39.4	22.3	16.4	15.9	177	142	106	41
8506023	12.09"	46.5	27.6	20.3	19.1	266	213	159	62
8508023	16.12"	54.2	36.4	26.7	24.7	355	284	212	83
8512023	24.18"	71.6	47.1	34.6	31.7	532	426	318	125

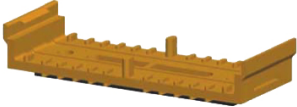
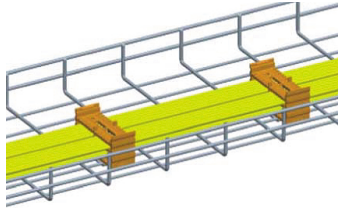
Fixing & Accessories

P/N	Images	Installing Guide	Description
<p>8504010 8506010 8508010 8512010</p>			<p>HANGER KITS</p> <p>1. Hanger kits are a solution for ceiling mounting. Each kit includes two 1mt metric thread rod, two anchor bolts, two flange nuts, and two common nuts.</p> <p>2. These kits can be used as floor support.</p>
<p>8504050 8506050 8508050 8512050</p>			<p>L-TYPE WALL BRACKET</p> <p>This bracket is used to install cable trays to the wall. Designed for trays below 300mm wide.</p> <p>8504050: 4" 8506050: 6" 8508050: 8" 8512050: 12"</p>

<p>8585100 8585200 8585300</p>			<p>WALL BRACKET It is used for horizontal wall mounting. Suitable for all sizes of cable trays. It supports heavy weight. 8585100: 4” 8585200: 8” 8585300: 12”</p>
<p>8585045</p>			<p>FAS Profile (1mts)</p>
<p>8585080</p>			<p>FASTLOCK Normally used with small cable trays to create a bend.</p>
<p>8530012</p>			<p>PG Splice CF Connects straight sections of wire mesh cable trays. Each standard coupler kit includes one M6 bolt and one M6 flange nut. A minimum of 3 couplers are required to connect two cable tray sections.</p>

8595010			<p>FAST FIX SPLICER It is used as a coupler. It connects two cable trays, but it doesn't support heavy weight.</p>
8595020			<p>CABLE GUIDER It allows cables to be laid out from the trays to equipment. Size: 30cm x 28cm x 16cm</p>
8595030			<p>T TYPE HANGING BRACKET Used to hang the cable trays from the ceiling with vertical support.</p>
8599200			<p>GROUNDING BOLTS</p>

8599880			<p>HANGING HOOKS Used to hang the cable trays from the ceiling. Designed for light weight.</p>
8599900			<p>DIVIDER It is used to divide the cable tray into two cable pathways. Height: 2" Length: 1mt</p>
8585250			<p>STRENGTHENING BAR It is used to strengthen the connection of two cable trays. It can also be used to create bends, tees, crosses, risers, and reducers.</p>
8598010			<p>CABLE ROUTER BASE Apply to trays to organize cables. Made from ABS. Includes 1 set. Up to four 8598011 can be used with each 8598010</p>

8598011			<p>CABLE ROUTER TOP Apply to trays to organize cables. Cable diameter 5mm-6mm. Includes 1 unit. Up to four 8598011 can be used with each 8598010.</p>
---------	---	--	--

Ordering Information:

Title	Description
8504010	Newlink PG Hanger-10 Kit for 8504023 (Kit includes: 1 bar, 2 rods, and 2 nuts)
8504023	Newlink EZ Cable tray 4" x 2" x 3 meters
8504050	FAS L Hanger 4"
8506010	Newlink PG Hanger-10 Kit for 8506023 (Kit includes: 1 bar, 2 rods, and 2 nuts)
8506023	Newlink EZ Cable tray 6" x 2" x 3 meters
8506050	FAS L Hanger 6"
8508010	Newlink PG Hanger-10 Kit for 8508023 (Kit includes: 1 bar, 2 rods, and 2 nuts)
8508023	Newlink EZ Cable tray 8" x 2" x 3 meters
8508050	FAS L Hanger 8"
8512010	Newlink PG Hanger-10 Kit for 8512023 (Kit includes: 1 bar, 2 rods, and 2 nuts)
8512023	Newlink EZ Cable tray 12" x 2" x 3 meters
8512050	FAS L Hanger 12"
8530012	Newlink PG Splice CF
8560000	Cable Tray Cutter
8585045	Fas Profile 1 meter
8585080	FasLock
8585100	4" CRP Reinforced Bracket
8585200	8" CRP Reinforced Bracket
8585250	Strengthening Bar
8585300	12" CRP Reinforced Bracket
8595010	Fast Fix Splicer
8595020	Cable Guider
8595030	T-Type Hanging Bracket
8597010	1" Conduit Connector

8597034	3/4" Conduit Connector
8598010	Cable Fixer (Base)
8598011	Cable Fixer Top for 6mm cable (up to 4 per each 8598010)
8599200	Grounding Bolt
8599880	Hanging Hooks
8599899	Corner Radius
8599900	Newlink Divider 2" x 1 meter (3 per tray needed)
8504029	Newlink EZ Cable Tray 4" x 2" x 2.90mts
8506029	Newlink EZ Cable Tray 6" x 2" x 2.90mts
8508029	Newlink EZ Cable Tray 8" x 2" x 2.90mts
8512029	Newlink EZ Cable Tray 12" x 2" x 2.90mts

Wire Mesh Cable Tray SWL (Safe Working Load) Tests:

Test Reference: Clause 5.2.6 - 5.2.9 NEMA VE 1-2002/CSA C22.2 No. 126.1-02

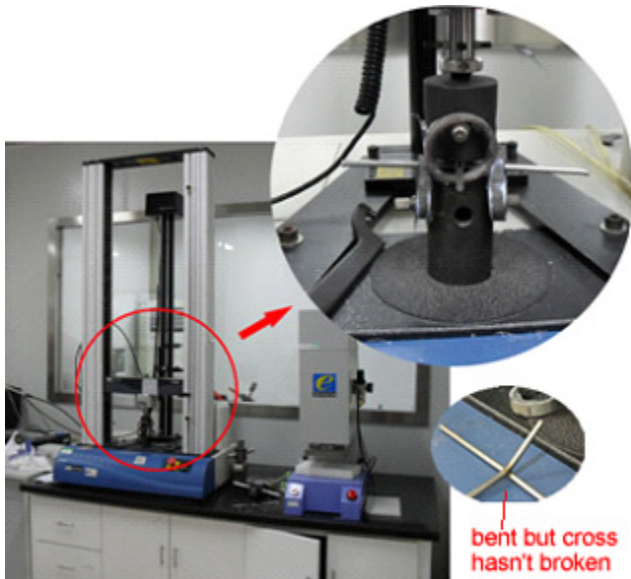
Description: Adding long flat bars (steel bars used) on wire mesh cable trays with test span 3000mm to test the max loading capacity.

Result: The wire mesh cable trays collapse at least 172kgs.

Test Reference: Clause 10.4 BS EN 61537:2007 Cable Management - Cable Tray Systems and Cable Ladder Systems

Description: Test for SWL of cable tray lengths mounted in the horizontal plane running horizontally on a single installation.

Result: The SWL tests passed all the requirements for SWL load and 1.7 times Load. (The practical mid-span deflection does not exceed 1/100th of the span. The transverse deflection does not exceed 1/20th of the width of the mesh cable trays. The basket trays still ensure reliable support to any cable. Loading increased at 1.7 times SWL, the mesh cable trays sustain the increased loading without collapsing.)



Wire Mesh Cable Tray Welding Strength Tests:

Test Description: Cutting off testing segment from wire mesh cable trays. Place the testing welded segment in hydraulic press and test.

Test Condition: $23 \pm 2^\circ\text{C}$, $50 \pm 5\%$ RH, Hydraulic press speed: 5mm/min.

Result: Maximum broken force at least 1166N.

QC