



Newlink offers the 300 Series of unassembled Cabinets to minimize shipping costs. The 300 Series feature a unique design that allows their fast and simple assembly combined with our strong and attractive presentation. They maintain our traditional tighter tolerances for door clearance and bends being an excellent addition to your Data or Call Center.

#### Features:

- Complies with ANSI/EIA-310-D Standard and IEC-60297-2
- Assembly time less than 5 minutes
- Packing Volume  $\frac{1}{4}$  than assembled
- Includes Fans
- Tempered Glass Door with adjustable opening angle (can reach more than 180 degrees)
- Depth of rails can be adjusted
- RAL Standard color Black

#### *Newlink Cabinets 300 Series*

#### *Unassembled / Flat Shipping*

- 24" (12UR) Wallmount Glass Door, Fan, Removable lateral panels w/lock
- 30" (15UR) Wallmount Glass Door, Fan, Removable lateral panels w/lock
- 51" (27UR) Wallmount Glass Door, Fan, Removable lateral panels w/lock
- 78" (42UR) Standalone Glass Door, Fan, Removable lateral panels w/lock and Electrical Power Strip



#### Assembly Instructions -24"- 30"- 51" (78" included with product)

#### Packing list

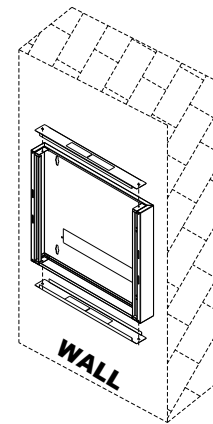
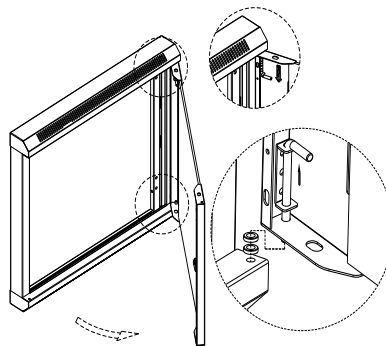
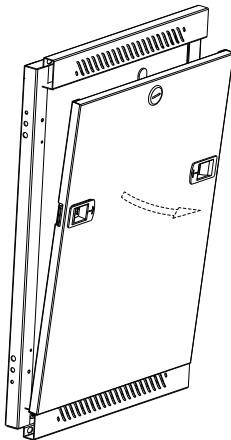
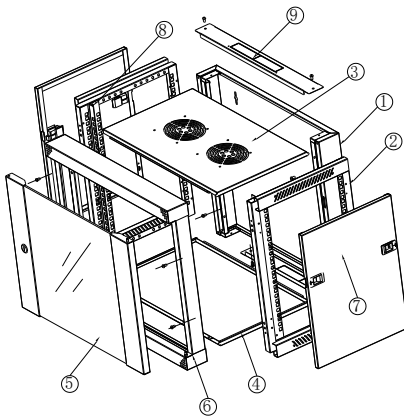
- ① Back frame---1pc
- ② Side frame---2pcs
- ③ Top with Fans---1pc
- ④ Bottom---1pc
- ⑤ Front door---1pc
- ⑥ Front frame---1pc
- ⑦ Side panel with lock---2pcs
- ⑧ 19"mounting rails ---2pcs
- ⑨ Cable entry plate---3pcs

\* Package of accessories---1pc

#### Item list of accessories package

- M5X10 self-tapping screws---
  - < 18U, 16pcs
  - > 18U, 20pcs
- M6X12 screws ---
  - < 12U, 18pcs
  - > 12U, 28pcs
- M6 square nuts---
  - < 12U, 10pcs
  - > 12U, 20pcs
- M6 flange nuts---8pcs

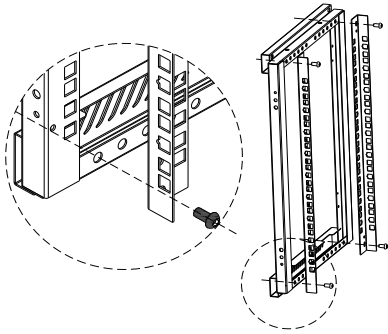
Tip: Check the quantities of the items after open package, ensure quantities are right to improve the assembly efficiency.



**1** - Remove side panels from side frames, put them separate for the preparation of the frame assembly.

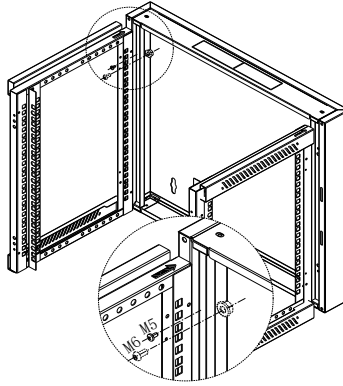
**2** - Open the front door by key, pull the door latch downward, refer to the picture, remove the front door from front frame, put them separate for the preparation of the frame assembly.

**3** - Fix the top and bottom of the back frame by 4 pcs of M5\*10 Self-tapping screw.



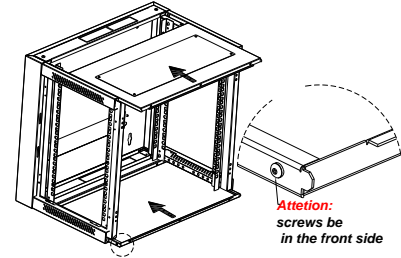
**4** - Fix 19" mounting rails to the first holes of top & bottom of side frames with 8 pcs of M6 screws.

Tip : 19" mounting rails of some models have been installed when ship out from factory, then ignore step (4)



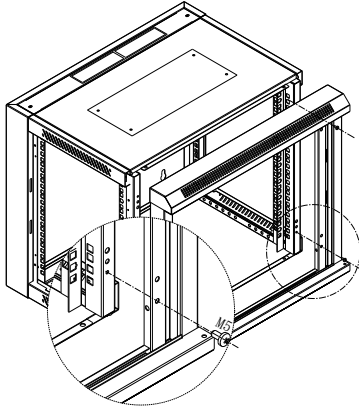
**5** - Install side frames to the grooves of back frame with 4pcs of M5\*10 screws (6pcs if more than 18U) as shown by the arrow in the picture, note 19" mounting rails are in the front side.

Tip : Connection strength can be strengthened by 4pcs of M6 screws & flange nuts if necessary, refer to the picture.

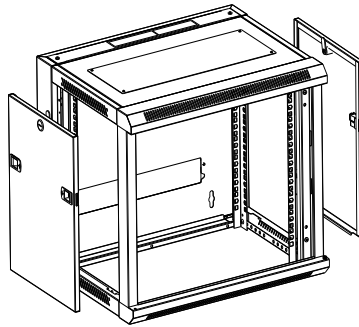


**6** - Install top and bottom as shown by the arrow in the picture.

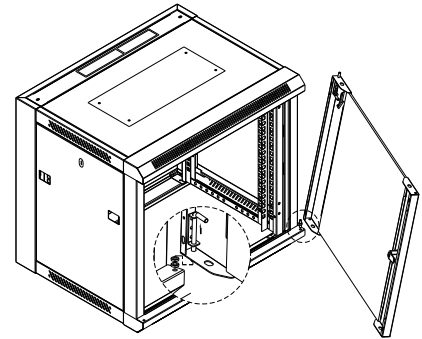
Tip : Please note the direction when install bottom, screws will be in the front side, please refer to picture.



**7** - Install front frame with 4pcs of M5\*10 screws (6pcs of M5\*10 screws if more than 18U), refer to the picture.



**8** - Install side panels, refer to the picture



**9** - Repeat step 2, install front door.  
Tip: SE enclosure is the bolted structure, need to adjust the diagonal size of enclosure after the assembly, ensure homogeneous space for all doors and that doors work well.

#### Related Products

|                    |   |
|--------------------|---|
| <b>NEW-0191510</b> | <b>12" depth ventilated steel shelf</b> |
| NEW-0191511        | 12" depth solid steel shelf             |
| NEW-0191512        | 14" depth ventilated steel shelf        |
| NEW-0191453        | 14" depth solid steel shelf             |

#### Ordering Information

| <u>P/N</u>  | <u>Description</u>   | <u>H x W x D</u>      |
|-------------|--|-----------------------|
| NEW-0924300 | 24" (12 RMU) – Wallmount cabinet, w/Front glass door w/lock, Removable side panels w/lock, Fan cooling device. Unassembled. Max. Static Load: 60Kg   | 24" x 22.45" x 21.65" |
| NEW-0934300 | 30" (15 RMU) – Wallmount cabinet, w/Front glass door w/lock, Removable side panels w/lock, Fan cooling device. Unassembled. Max. Static Load: 60Kg   | 30" x 22.45" x 21.65" |
| NEW-0951300 | 51" (27 RMU) – Wallmount cabinet, w/Front glass door w/lock, Removable side panels w/lock, Fan cooling device. Unassembled. Max. Static Load: 60Kg   | 51" x 22.45" x 21.65" |
| NEW-0978300 | 78" (42 RMU) – Standalone cabinet, w/Front glass door w/lock, Removable side panels w/lock, Fan cooling device and Electrical power strip. Max. Static Load: 800Kgs/1760lbs. Unassembled           | 78" x 23.5" x 39"     |
| NEW-0978400 | 78" (42RMU) – Standalone Cabinet, w/front and back vented door w/lock, Removable side panels w/lock, Fan cooling device and electrical power strip. Max. Static Load: 800Kgs/1760lbs. Unassembled. | 78" x 23.5" x 39"     |
| NEW-0978500 | 78" (42 RMU) – Standalone Cabinet Extra Depth (42.13") Unassembled. Load capacity: 800Kgs/1760lbs  | 78" x 22.45" x 42.13" |