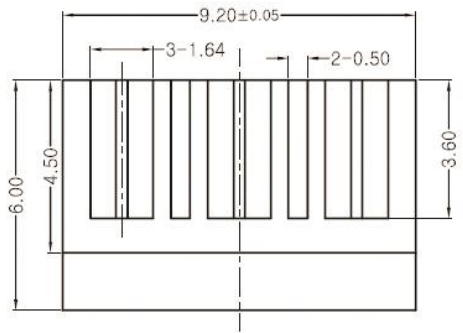
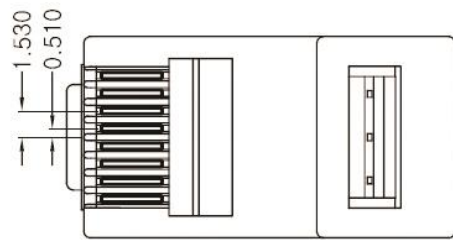
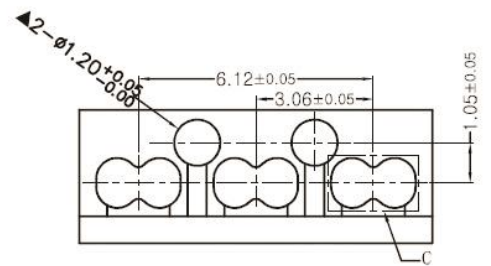
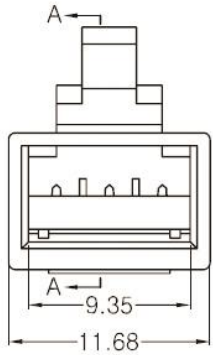
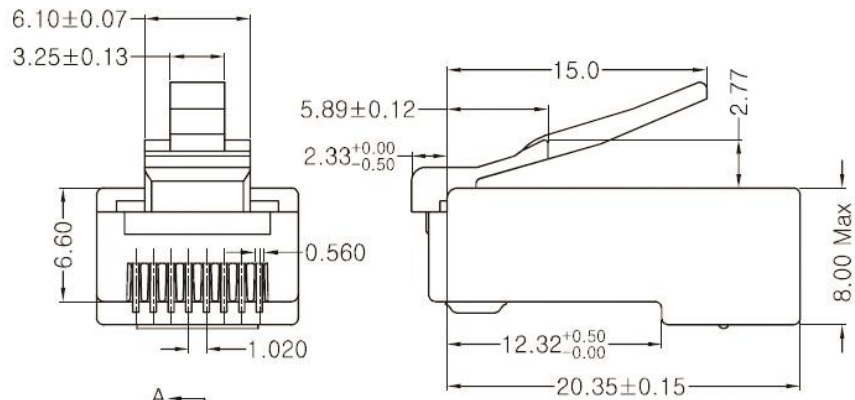
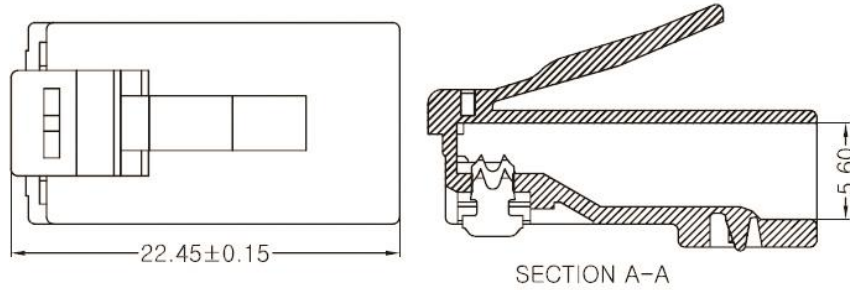


Newlink Cat 6A RJ45 8-Wire UTP (1,000-pack)



Electrical Test:

- Rated Current: 125V AC, 1.5A @ 25°C
- Contact Resistance: <20 mΩ Max.
- Insulation resistance: >500 MΩ, 100V DC/min
- Voltage Proof: 1000V AC/1 minute no breakdown.

Mechanical:

- Insertion Force & Withdrawal Force: 30N Max.
- Durability: 750 cycles min.

Operating temperature: -40°-+85°C

Environmental Compliance: the item is compliant with RoHS and REACH

Contacts: 3Prongs 50u gold plating

Ordering Information:

Part number	Description
NEW-3584880	Newlink Cat 6A RJ45 8-Wire UTP (1,000-pack)