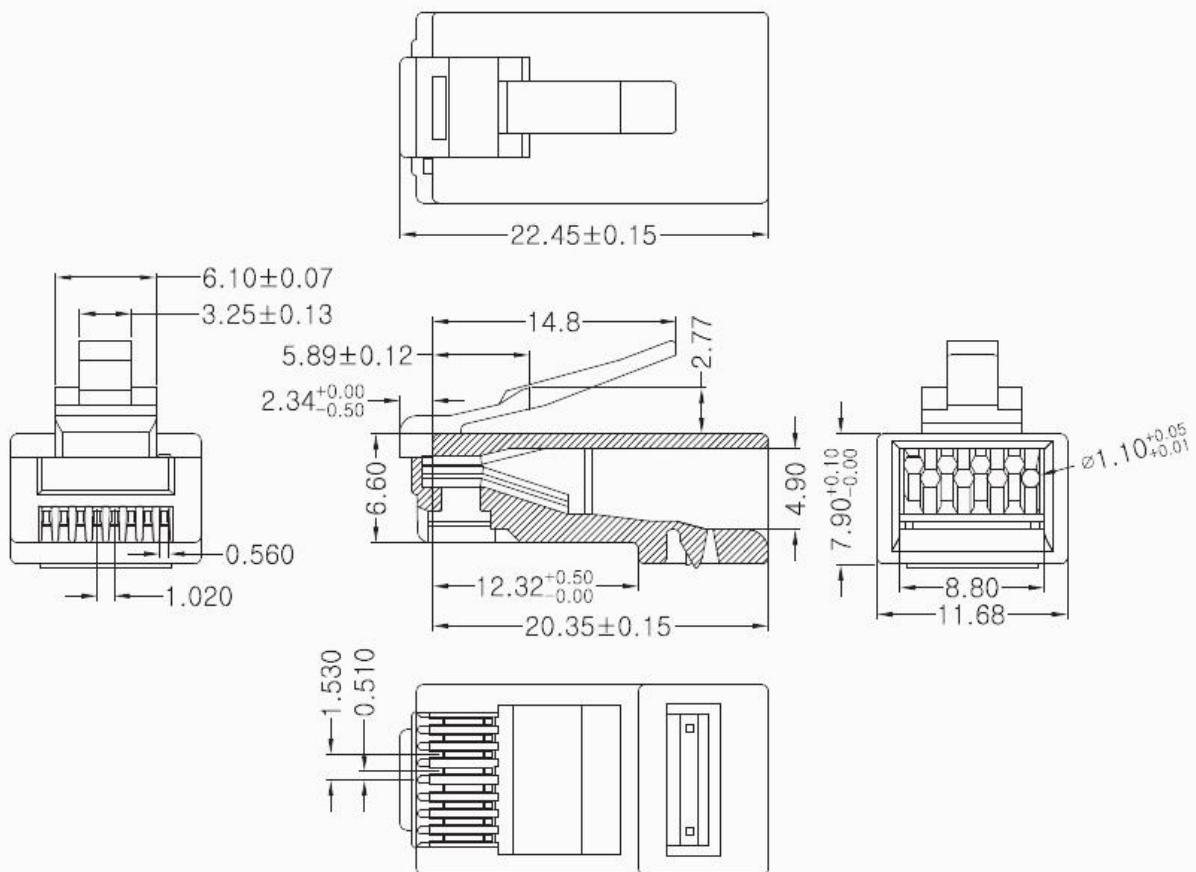


Newlink RJ45 Cat 6 - 8 wire Solid UTP Connector one piece



Electrical Test:

- 250V AC max, at 2A
- Dielectric withstanding 1000V DC/min, <0.5A
- Insulation resistance: >500 M Ω , 1000V DC/min
- Contact Resistance: <20 M Ω

Mechanical:

- Cable-to-plug tensile strength – 20lbs(89N) min
- Durability: 2000 mating cycles

Operating temperature: -40°-+125°C

Ordering Information:

Part number	Description
NEW-3584699	Newlink RJ45 Cat 6 - 8 wire Solid UTP Connector one piece