




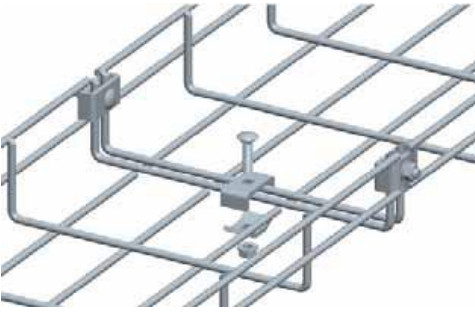
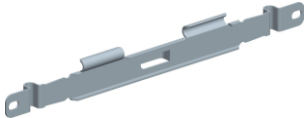
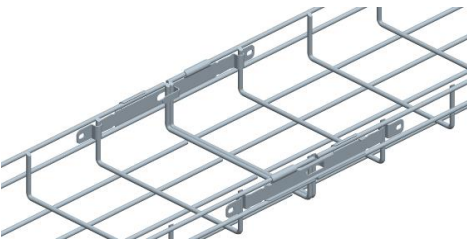



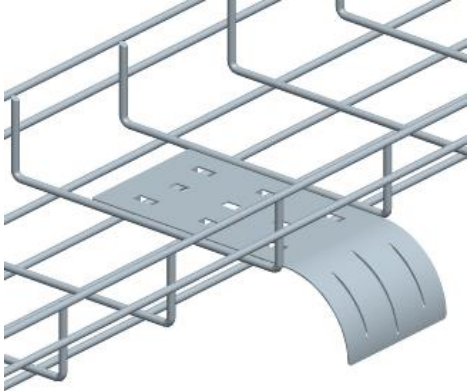
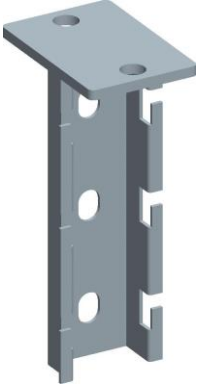
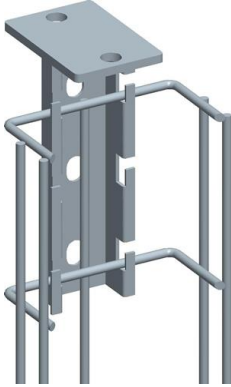

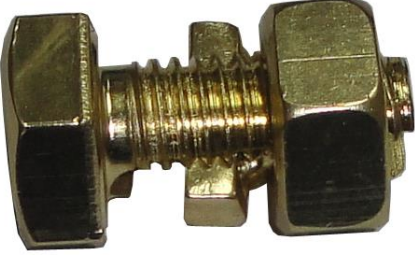
NEW-8595020

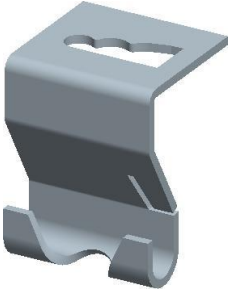
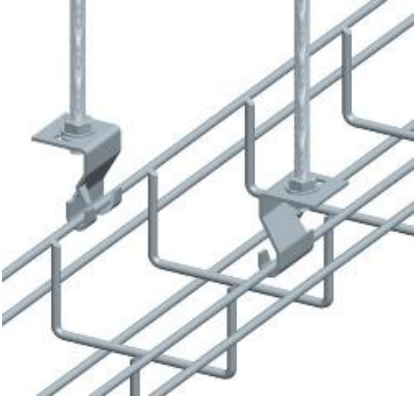
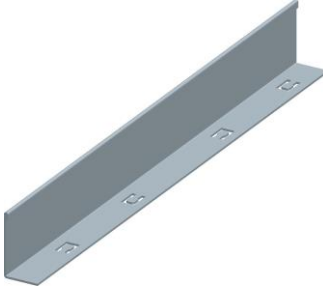
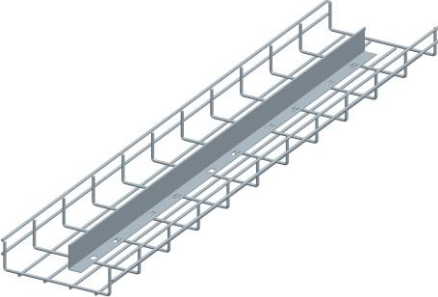
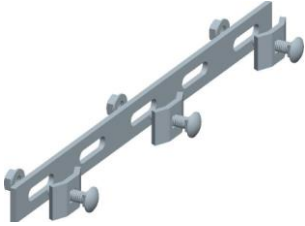
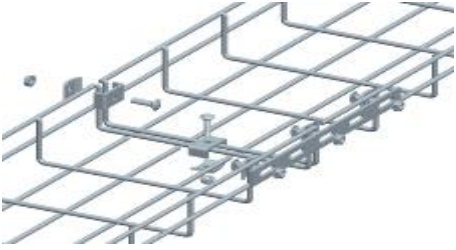
**Newlink Cable Tray  
Accessories**

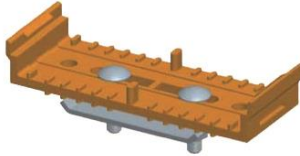
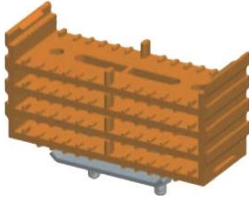

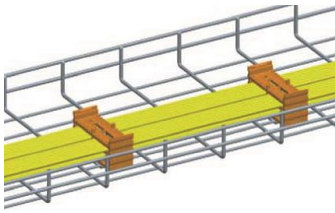

- Electro Zinc Resistant Finish
- NEC Approved
- NEWMAX-25 Year Certification available (\*)

P/N	Images	Installing Guide	Description
8585045			FAS Profile (1mts)

8585080			<p><b>FASTLOCK</b> Normally used with small cable trays to create a bend.</p>
8530012			<p><b>PG Splice CF</b> Connects straight sections of wire mesh cable trays. Each standard coupler kit includes one M6 bolt and one M6 flange nut. A minimum of 3 couplers are required to connect two cable tray sections.</p>
8595010			<p><b>FAST FIX SPLICER</b> It is used as a coupler. It connects two cable trays, but it doesn't support heavy weight.</p>

8955020			<p><b>CABLE GUIDER</b></p> <p>It allows cables to be laid out from the trays to equipment.</p> <p>Size: 30cm x 28cm x 16cm</p>
8595030			<p><b>T TYPE HANGING BRACKET</b></p> <p>Used to hang the cable trays from the ceiling with vertical support.</p>
8599200			<p><b>GROUNDING BOLTS</b></p>

8599880			<p><b>HANGING HOOKS</b></p> <p>Used to hang the cable trays from the ceiling. Designed for light weight.</p>
8599900			<p><b>DIVIDER</b></p> <p>It is used to divide the cable tray into two cable pathways.</p> <p>Height: 2" Length: 1mt</p>
8585250			<p><b>STRENGTHENING BAR</b></p> <p>It is used to strengthen the connection of two cable trays. It can also be used to create bends, tees, crosses, risers, and reducers.</p>

<p>8598010</p>			<p><b>CABLE ROUTER BASE</b></p> <p>Apply to trays to organize cables. Made from ABS. Includes 1 set. Up to four 8598011 can be used with each 8598010</p>
<p>8598011</p>			<p><b>CABLE ROUTER TOP</b></p> <p>Apply to trays to organize cables. Cable diameter 5mm-6mm. Includes 1 unit. Up to four 8598011 can be used with each 8598010.</p>
<p>8597010 8597034</p>		<p><b>1" and 3/4" CONDUIT CONNECTORS</b></p>	

#### Technical Specifications

<b>Steel</b>	<b>(Min. Yield = 33KSI) (35 KSI for Stainless)</b>
<b>Plain</b>	Hot rolled pickled and oiled steel per ASTM A569 or A570
<b>Pre-Galvanized</b>	Mill galvanized steel per ASTM A653 CS or SS G90
<b>Hot Dip Galvanized After Fabrication</b>	Plain steel which is hot dipped after fabrication per ASTM A123
<b>Stainless Steel</b>	Type 304 or 316L fully annealed stainless steel
<b>NEC Permitted (types of cables)</b>	<ul style="list-style-type: none"><li>○ Power and Control Tray Cable (Type TC) - NEC Article 336</li><li>○ Power Limited Tray Cable (Type PLTC) - NEC Sections 725-61© and 725.82(E)</li><li>○ Instrument Tray Cable (Type ITC) - NEC Article 727</li><li>○ Optical Fiber Cables - Article 770</li><li>○ Fire Alarm Circuit Conductors - Article 760</li><li>○ Communication Cables - Article 800</li><li>○ Mineral Insulated (MI) Cable - Article 332</li><li>○ Metal Clad (MC) Cable - Article 330</li></ul>

#### Ordering Information:

<b>Part Number</b>	<b>Description</b>
8504010	Newlink PG Hanger-10 Kit for 8504023 (Kit includes: 1 bar, 2 rods, and 2 nuts)
8504023	Newlink EZ Cable tray 4" x 2" x 3 meters
8504050	FAS L Hanger 4"
8506010	Newlink PG Hanger-10 Kit for 8506023 (Kit includes: 1 bar, 2 rods, and 2 nuts)
8506023	Newlink EZ Cable tray 6" x 2" x 3 meters
8506050	FAS L Hanger 6"
8508010	Newlink PG Hanger-10 Kit for 8508023 (Kit includes: 1 bar, 2 rods, and 2 nuts)

8508023	Newlink EZ Cable tray 8" x 2" x 3 meters
8508050	FAS L Hanger 8"
8512010	Newlink PG Hanger-10 Kit for 8512023 (Kit includes: 1 bar, 2 rods, and 2 nuts)
8512023	Newlink EZ Cable tray 12" x 2" x 3 meters
8512050	FAS L Hanger 12"
8530012	Newlink PG Splice CF
8560000	Cable Tray Cutter
8585045	Fas Profile 1 meter
8585080	FasLock
8585100	4" CRP Reinforced Bracket
8585200	8" CRP Reinforced Bracket
8585250	Strengthening Bar
8585300	12" CRP Reinforced Bracket
8595010	Fast Fix Splicer
8595020	Cable Guider
8595030	T-Type Hanging Bracket
8597010	1" Conduit Connector
8597034	3/4" Conduit Connector
8598010	Cable Fixer (Base)
8598011	Cable Fixer Top for 6mm cable (up to 4 per each 8598010)
8599200	Grounding Bolt
8599880	Hanging Hooks
8599899	Corner Radius
8599900	Newlink Divider 2" x 1 meter (3 per tray needed)

(\* ) NEWMAX-25 Year Certification applies when a complete Newlink Cabling Channel is installed.