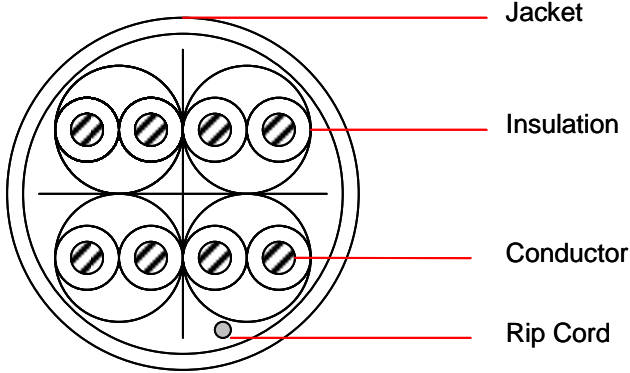


CAT-6 CMR 23AWG 4-pair UTP Cable



Features:

- Standards ANSI/EIA/TIA 568-C.2 & ISO/IEC 11801, IEEE 802.3af, UL 568.C.2 - Local Area Network Cable Verified for Transmission Performance, UL ANSI 444 - Communication Cables
- CMR Rated
- 4- Balanced Pairs, 23 AWG
- Unshielded Twisted-pair construction
- Applications: Voice, Fax, T1, ISDN, 10BASE-T, 100BASE-TX, 100BASE-T4, 100VG-AnyLan, ATM-25, ATM-51, ATM-155, 1000BASE-T
- High density twisted pairs (up to 51.7 – 65.2 per inch)
- Construction of Balanced Pair in differential mode

Conductor	Material	Bare Copper
	Construction	1/0.545 ± 0.01
	Size	23AWG
Insulation	Material	HD-PE
	Thickness	MIN at any point: 0.18mm MAX AVG:0.22 mm
	Diameter	0.94/0.96/0.98/1.0 ± 0.02
	Colors	Blue / White-Blue
		Orange / White-Orange
		Green / White-Green
		Brown / White-Brown
Elongation	Min. 300%	
Tensile Strength	Min. 1.682Kg/mm ²	
Separator	Latin Cross (FR-PE)	4.8 x 0.35mm
Jacket	Material	PVC (CMR)

	Thickness	Min.: 0.53mm Max. Avg: 0.57mm
	Diameter	6.0 ± 0.2
	Colors	Gray, Blue, or Red
Standards:	ANSI/EIA/TIA 568-C.2 & ISO/IEC 11801, IEEE 802.3af, UL 568.C.2 - Local Area Network Cable Verified for Transmission Performance, UL ANSI 444 - Communication Cables	

Electrical Characteristics:

1. Conductor Resistance	MAX 9.38 Ω/100m at 20°
2. Resistance Unbalance	MAX 5%
3. Capacitance Unbalance	MAX 330pF/100m
4. Mutual Capacitance	MAX 560pF/100m
5. Premise Cable Electrical Table	TIA Cat-6 Perm.Link

Length	Prop. Delay	Delay Skew	Freq.	Insertion Loss	NEXT	RL	ACR-N	ACR-F	PS NEXT	PS ACR-N	PS ACR-F
Max.	nS	nS	MHz	dB	dB	dB	dB	dB	dB	dB	dB
90m	498	44	1	3	65.0	19.1	62.0	64.2	62.0	59.0	61.2
			4	3.5	64.1	21.0	60.6	52.1	61.8	58.3	49.1
			8	5	59.4	21.0	54.4	46.1	57.0	52.1	43.1
			10	5.5	57.8	21.0	52.3	44.2	55.5	49.9	41.2
			16	7	54.6	20.0	47.6	40.1	52.2	45.2	37.1
			20	7.9	53.1	19.5	45.2	38.2	50.7	42.8	35.2
			25	8.9	51.5	19.0	42.7	36.2	49.1	40.2	33.2
			31.25	10	50.0	18.5	40.0	34.3	47.5	37.6	31.3
			62.5	14.4	45.1	16.0	30.8	28.3	42.7	28.3	25.3
			100	18.6	41.8	14.0	23.3	24.2	39.3	20.7	21.2
			200	27.4	36.9	11.0	9.6	18.2	34.3	7.0	15.2
250	31.1	35.3	10.0	4.2	16.2	32.7	1.6	13.2			

Note: Your typical consumer LAN uses 10Base-T signaling over a Category 3, 4, 5, 6 twisted-pair cable. The 10BASE-T transmitter output voltage specified in the standard (IEEE 802.3-2005 14.3.1.2.1) requires a peak differential voltage of 2.2 to 2.8 V into a 100-Ohm resistive load. There are IEEE technical discussions (March 2007) about reducing it to below 2 volts, perhaps using a "negotiation" protocol for devices on the LAN to choose a lower voltage if they are capable.

Ordering Information:

Part Number	Description
NEW-9806341	CAT-6 CMR 23AWG 4-pair UTP Cable 1000ft, Gray
NEW-9806342	CAT-6 CMR 23AWG 4-pair UTP Cable 1000ft, Blue