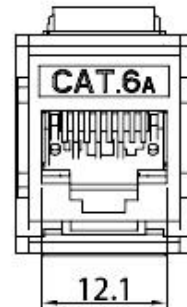
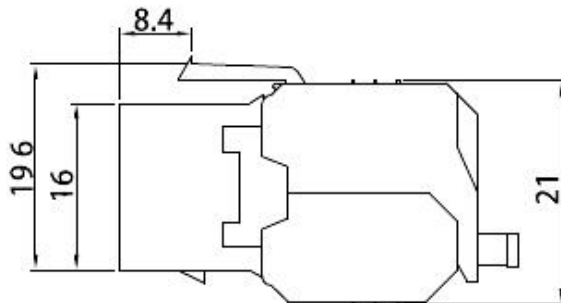
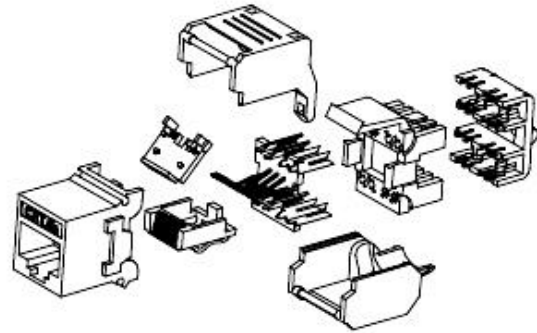
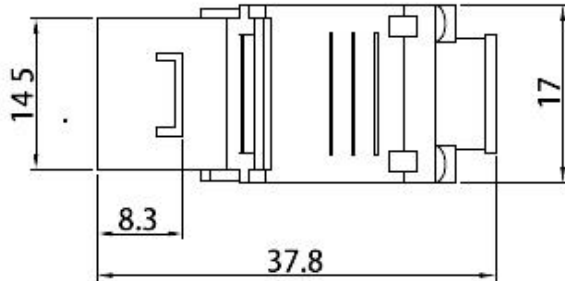
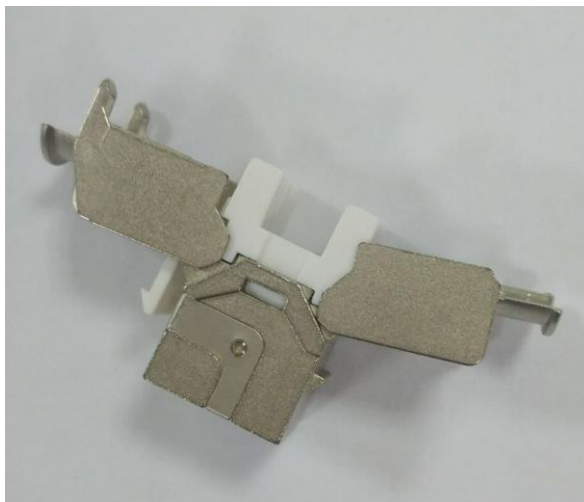


Newlink Cat 6A STP Jack Metallic Silver



Technical Specifications:

- Housing Material: PC UL 94V
- Insert Material: Flame retardant ABS UL 94V
- PCB Material: FR-4, thickness: 1.6mm
- Contact Material: Phosphor Bronze T= 0.35mm 8P8C 3 um gold plated
- IDC Contact: Phosphor Bronze T= 0.50mm with Nickel Plating
- RJ45 Jack Life: 750 times min.
- IDN Life: 200 times min.
- Wire: AWG 22-24
- Retentiveness of insertion structure: 50N 60 ± 5s



Ordering Information:

Part Number	Description
NEW-3899006	Newlink Cat 6A STP Jack Metallic Silver