

## Newlink RJ45 Cat 6A 8 wire solid UTP Connector (1000 pack)

### Features:

- Plug Type: RJ45 Cat 6A 8 wire solid UTP

### Electrical Test:

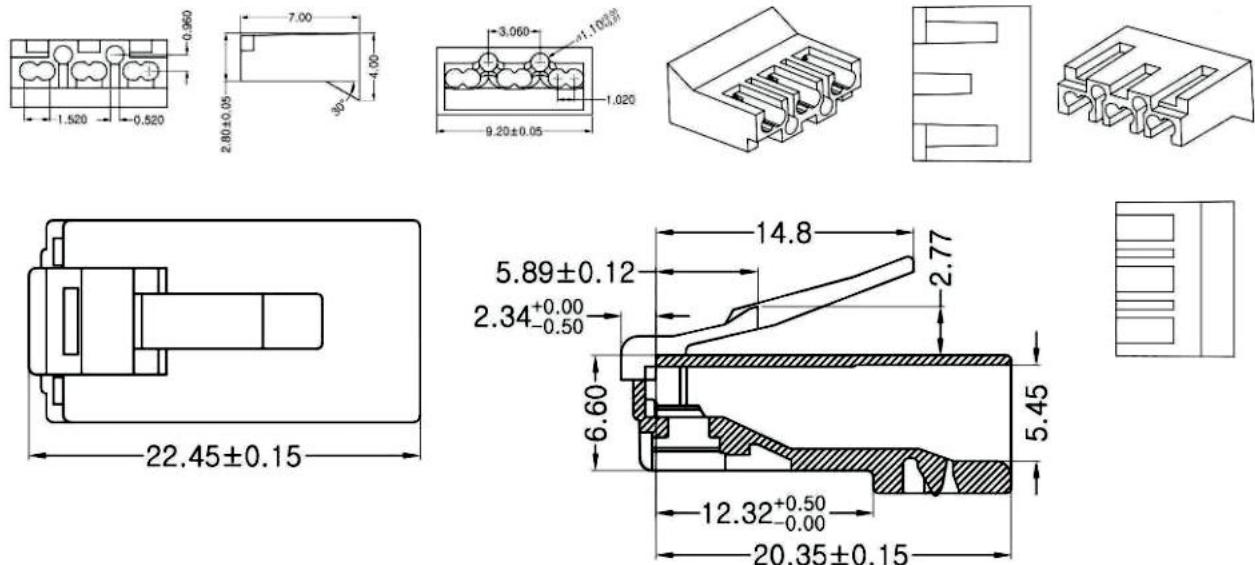
- UL Applications: 250 AC max, at 2A
- Dielectric withstanding 500V AC
- Insulation Resistance: 100M  $\Omega$
- Termination: Resistance: <20 M $\Omega$  max after environmental testing.

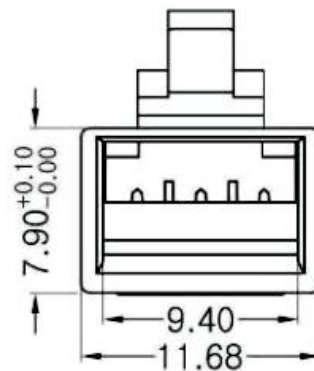
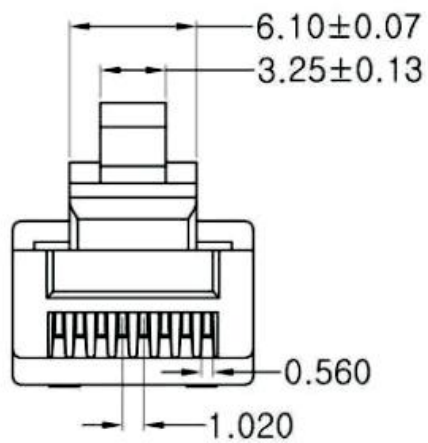
### Mechanical:

- Cable-to-plug tensile strength: 20Kg min.
- Durability: 200 mating cycles

### Material and finish:

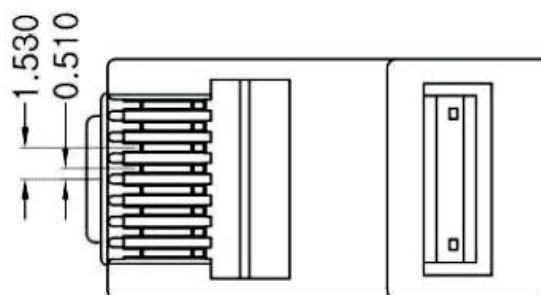
- Housing: Polycarbonate, UL94V-0 or UL94V-2
- Color: Transparent
- Contact Blade: Phosphor Bronze





#### BLADE:

Type	E	Y
Drawing		
Mark		



#### Mechanical:

#### Ordering Information:

Part Number	Description
NEW-3584770	Newlink RJ45 Cat 6A 8 wire solid UTP Connector (1000 pack)