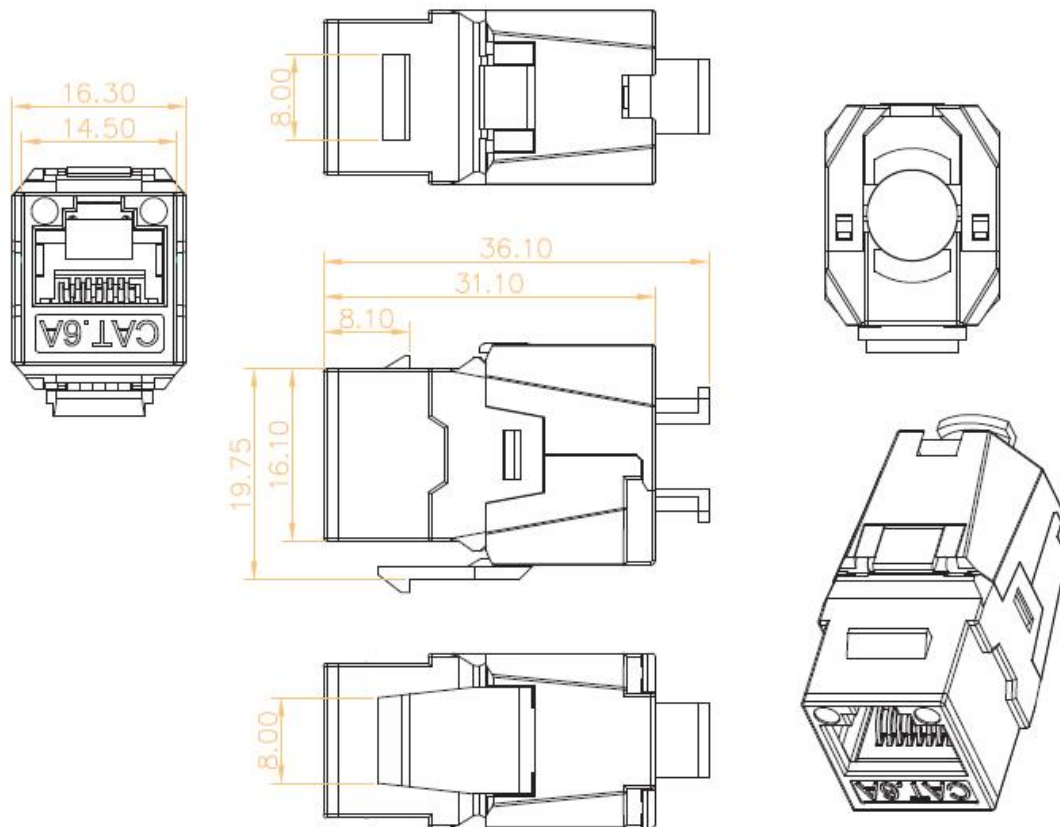


Newlink Cat 6A Shielded Jack (Suitable for F/UTP cable)



Technical Specifications:

Electrical:

1. Voltage Rating: 125 VAC RMS
2. Current Rating: 1.5 AMP
3. Contact Resistance: 20 Milliohms Max
4. Insulation Resistance: 100 Megohms min @ 500 VDC
5. Dielectric Strength: 750 VAC RMS 60Hz, 1min
6. CAT-6A Permanent Link: Conform to ANSI/TIA/EIA-568.2-D

Environmental:

1. Storage: -40° to +70°
2. Operation: -10° to +60°



Mates with Modular Plug conforming to FCC Part 68, Subpart F

Mechanical:

1. Housing Material: Zinc Alloy
2. Insert Material: PC
3. PCB Material: FR-4 T=1.2mm
4. Contact Material: Phosphor Bronze Stamp Pin T=0.35mm
5. IDC Contact Material: Phosphor Bronze T=0.50mm with tin plating
6. RJ45 Jack Life: 750 times min
7. IDC Life: 200 times min
8. Wire: AWG 22-24
9. TIA Cat-6A Perm. Link Test: Worst pair NEXT margin $\geq 3.0\text{dB}$
10. Retentiveness of insertion structure: 50N 60 \pm 5s



Ordering Information:

Part Number	Description
NEW-38990XX	Newlink Cat 6A Shielded Jack (Suitable for F/UTP cable)